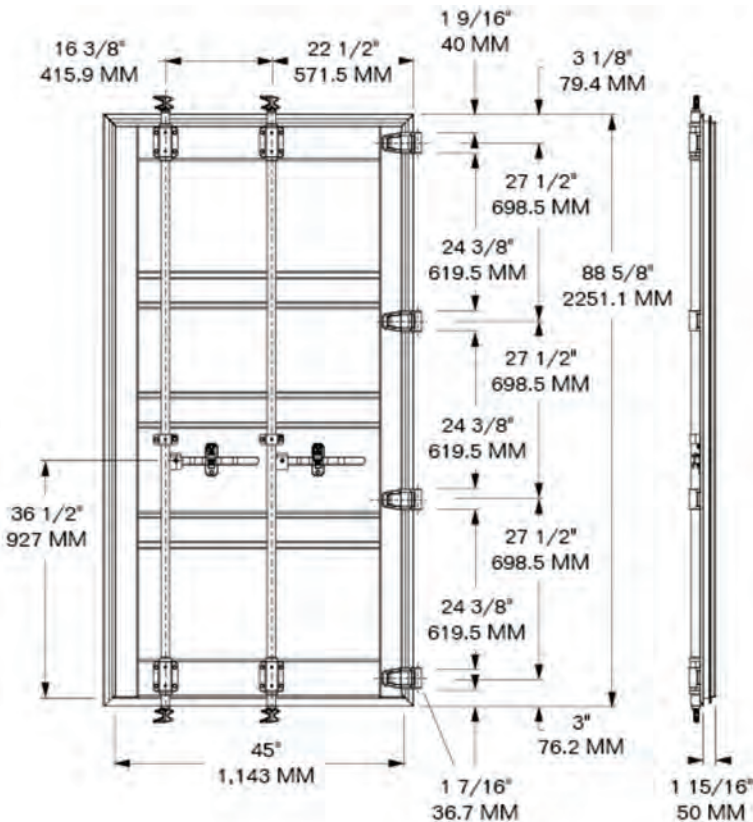


LEFT DOOR COMPLETE



RIGHT DOOR COMPLETE

- Assemblies for standard ISO 8' 6" containers - 20', 40' & 45'.
- All dimensions shown from door steel edges.
- Complete with gaskets fitted with retainers.



PART NO.	SPEC
FUDU-F02-01	HC
FUDU-F02-02	GP
WEIGHT	99.79 KG
MATERIAL	CORTEN

TITLE	SECONDHAND HC/GP DOOR SET
-------	---------------------------