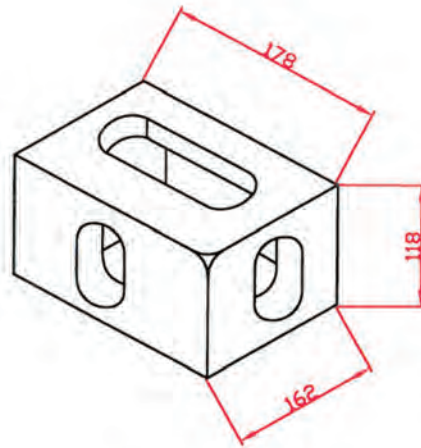
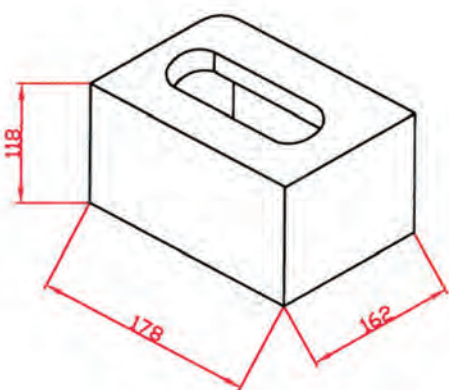


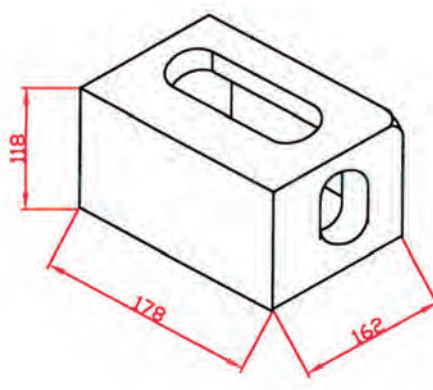
A



C



B



D

**speed
spares**
[CONTAINERS PAREPARTS]

DESCRIPTION	
FOR FRONT LOWER RH OR REAR LOWER LH POSITION	
FOR FRONT LOWER LH OR REAR LOWER RH POSITION	
FOR FRONT TOP RH OR REAR TOP LH POSITION	
FOR FRONT TOP LH OR REAR TOP RH POSITION	

TITLE	CORNER CASTINGS (SET OF 8)	WEIGHT	88.00 KG
SPEC	178X162X118	MATERIAL	SCW490MOD
PART NO.	FUDU-F01-01	UNIT	mm