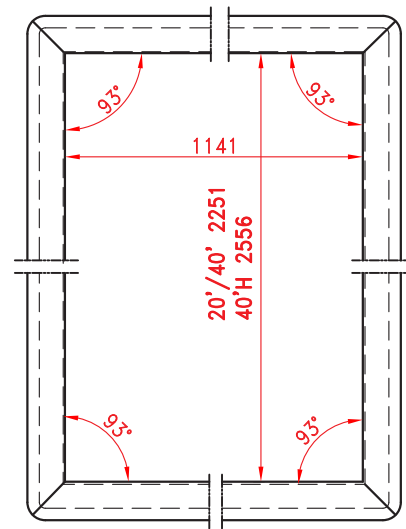
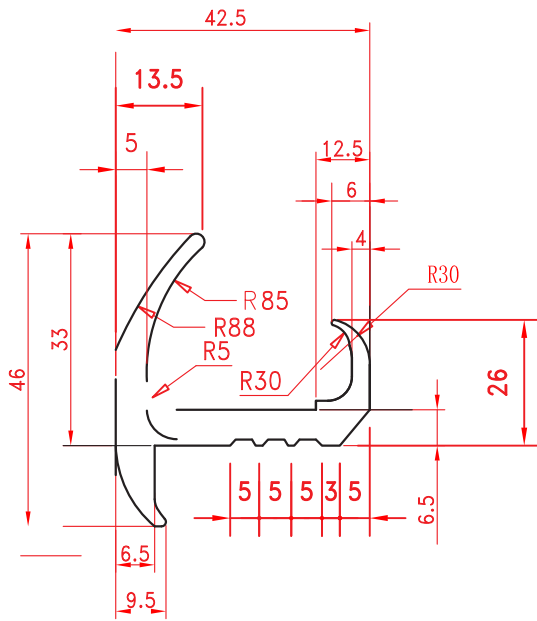


LEFT HAND DOOR ONLY

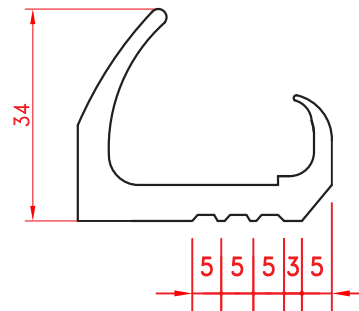


RIGHT HAND DOOR ONLY



(FOR UPPER&SIDE)

SECTION A-A



(FOR LOWER ONLY)

SECTION B-B



		PART NO		SPEC	
				FUDU-D26-01A	CONTAINER SET,20'/40' GP/HC
TITLE	Door Seal	WEIGHT		6.000/8.000KGS	
MODEL	"J" Type	MATERIAL		EPDM	
PART NO.	FUDU-D26-01A	UNIT 2.5m	mm		