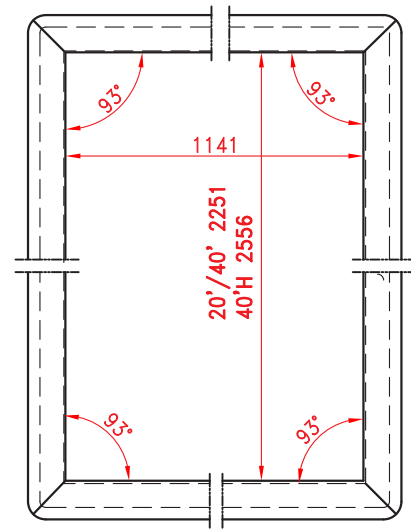
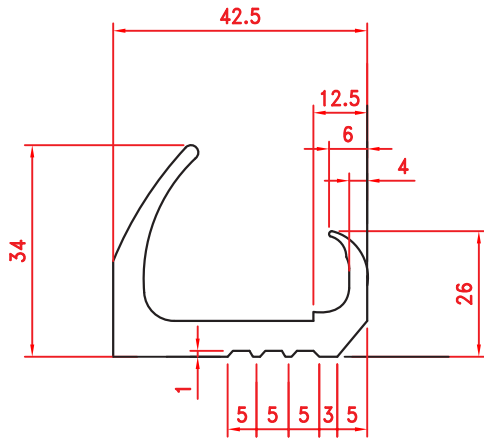


LEFT HAND DOOR ONLY



RIGHT HAND DOOR ONLY



SECTION A-A & B-B

**speed
spares**
[CONTAINERSPAREPARTS]

		PART NO.	SIZE
		FUDU-D26-02A	EACH 2.5m
TITLE	Door Seal	WEIGHT	6.000/8.000/1.500/24.000KGS
MODEL	"C" Type	MATERIAL	EPDM
PART NO.	FUDU-D26-02A	UNIT 2.5m	mm